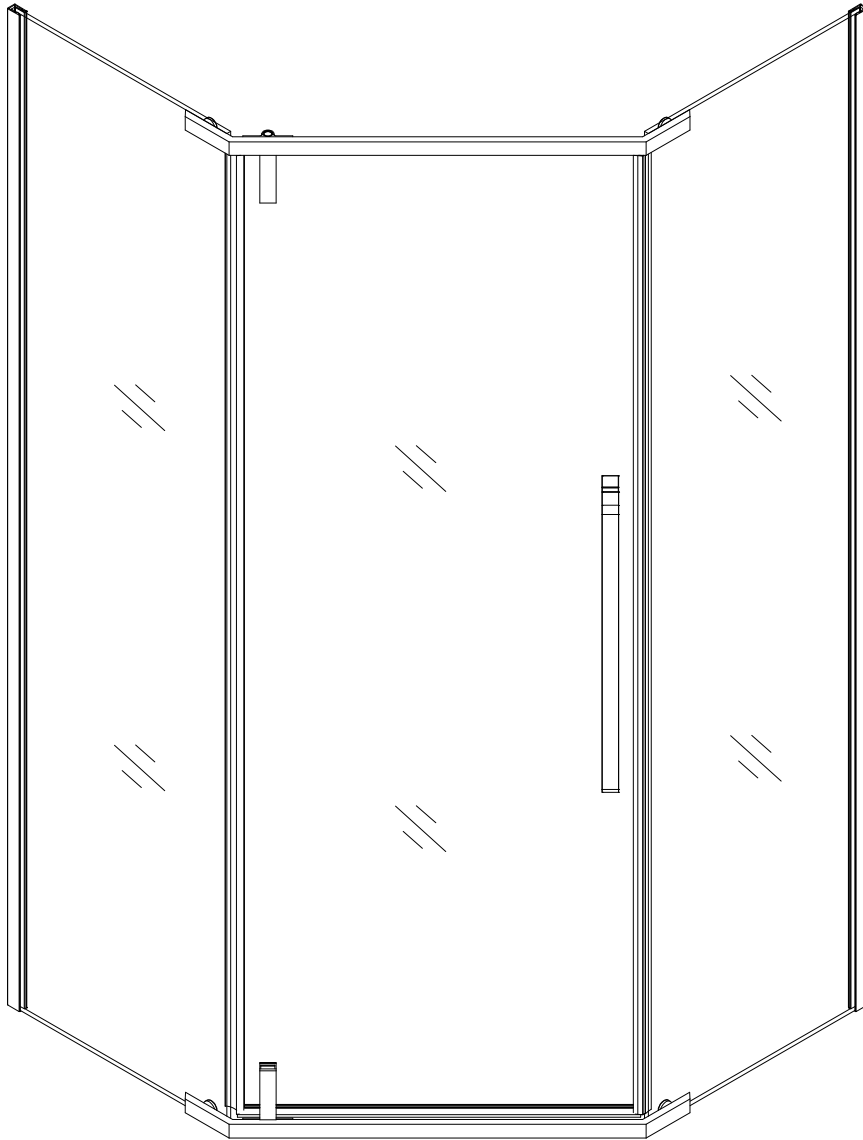
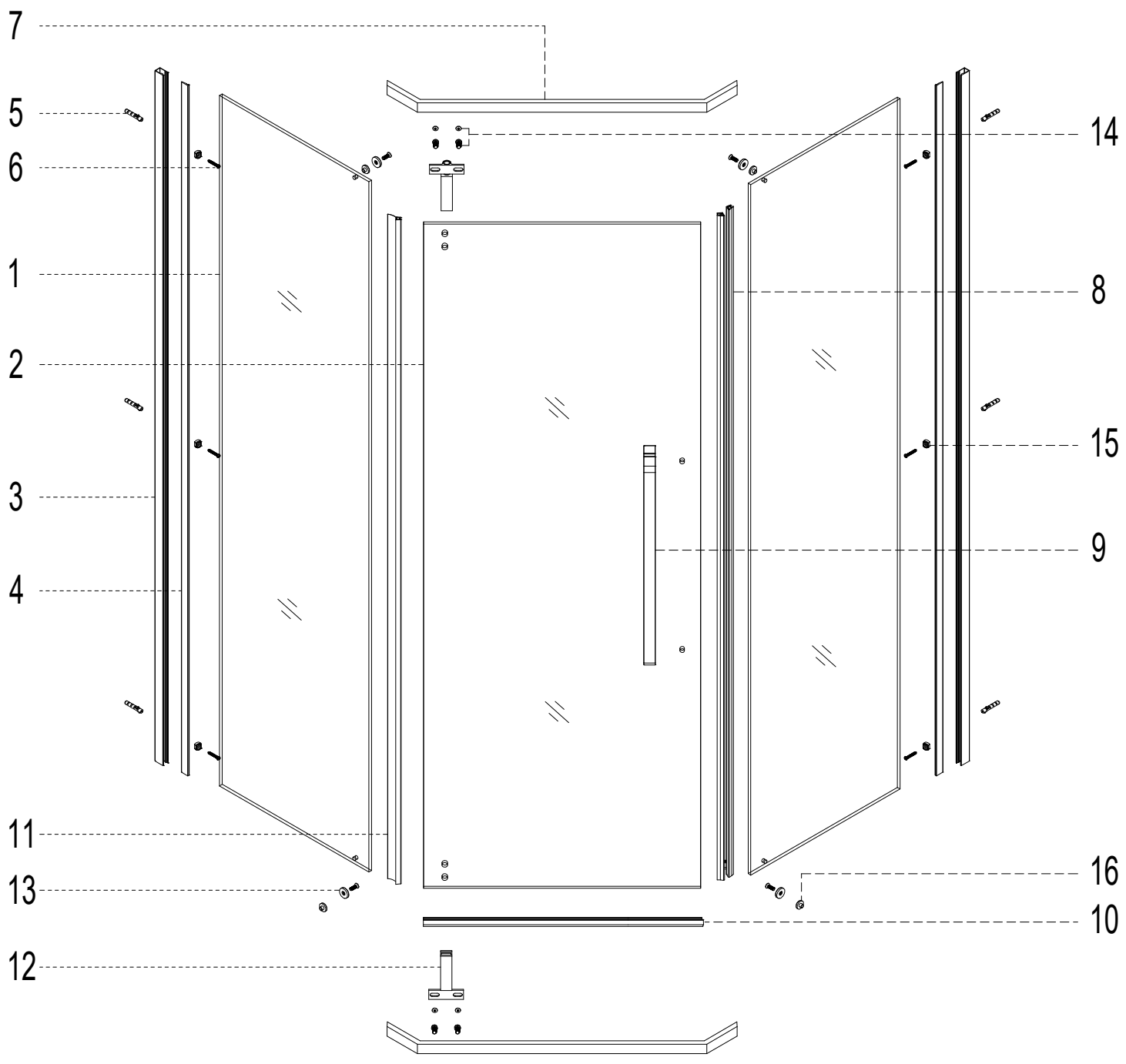
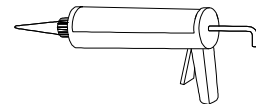
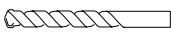
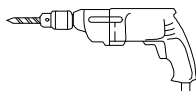
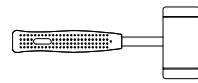
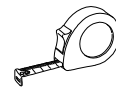
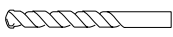
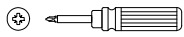
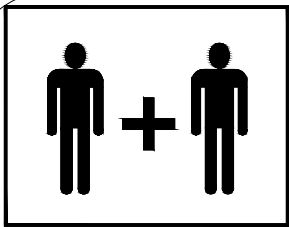


# SV06







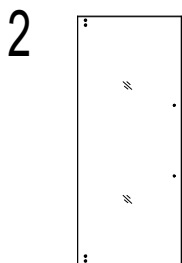
Ø7/32"

Ø3/32"



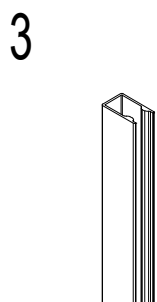
1

X2



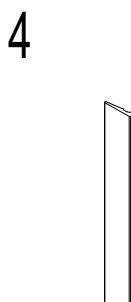
2

X1



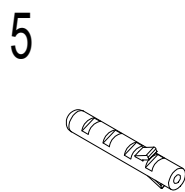
3

X2



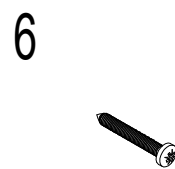
4

X2



5

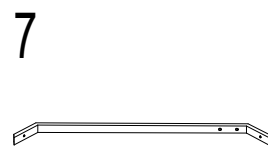
X6



6

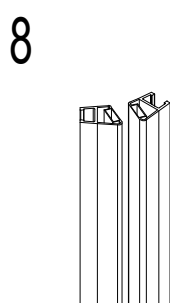
ST3.9X35

X6



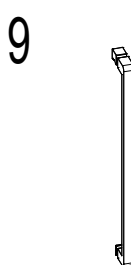
7

X2



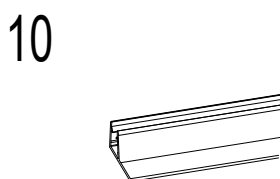
8

X1



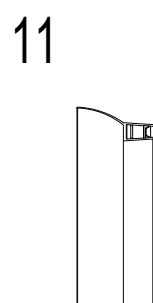
9

X1



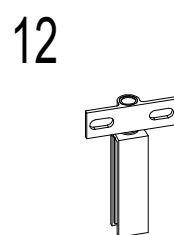
10

X1



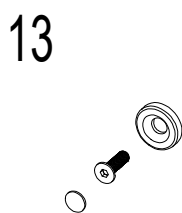
11

X1



12

X2



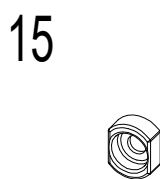
13

X4



14

X4



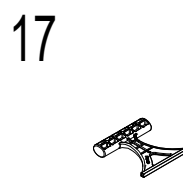
15

X6



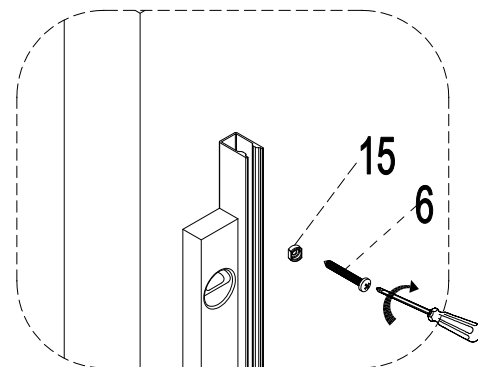
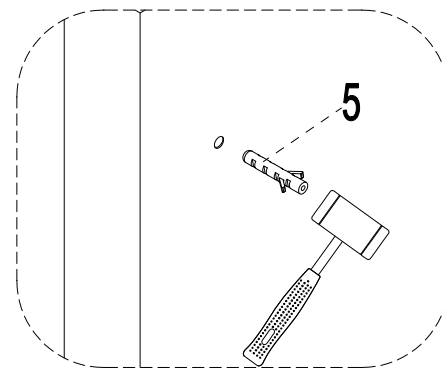
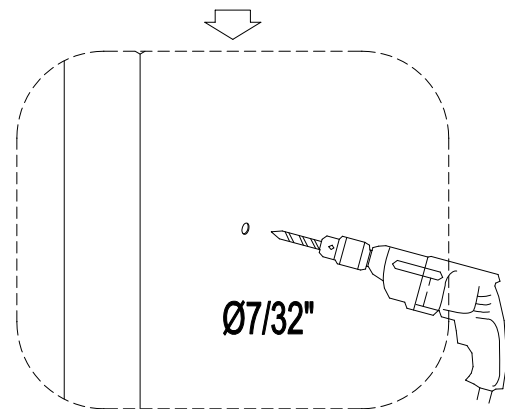
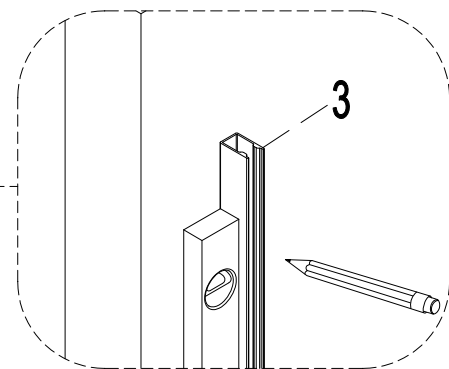
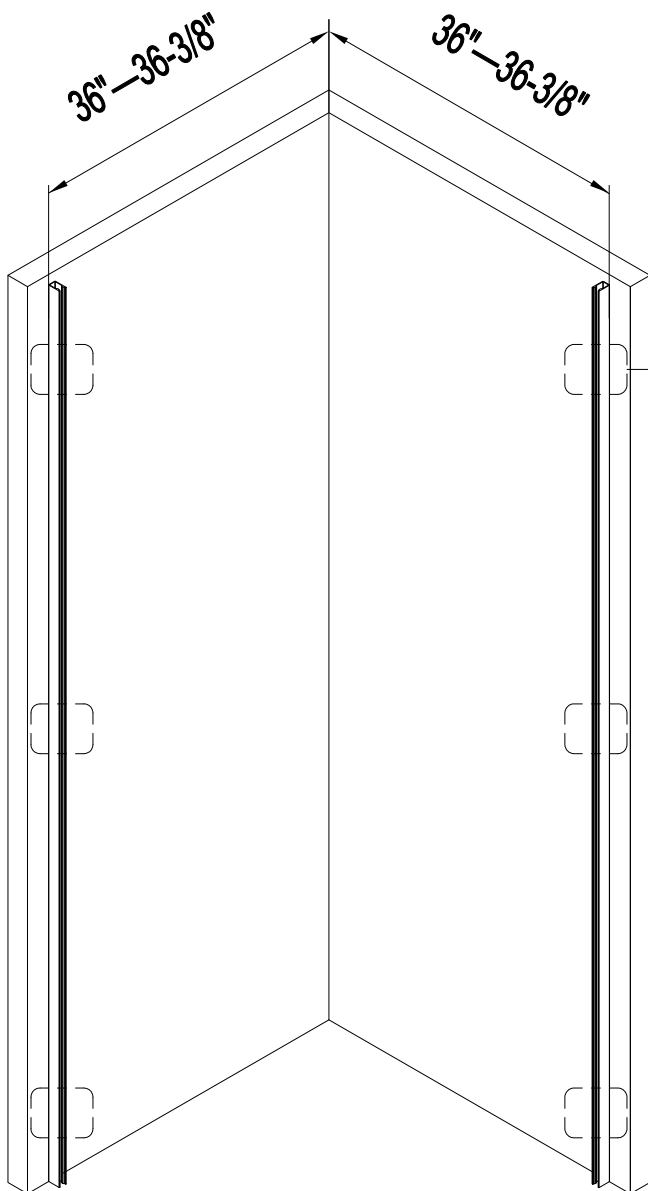
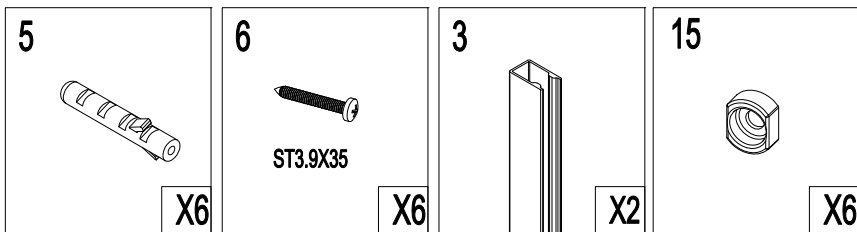
16

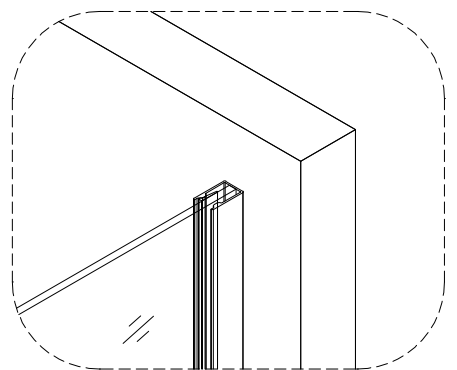
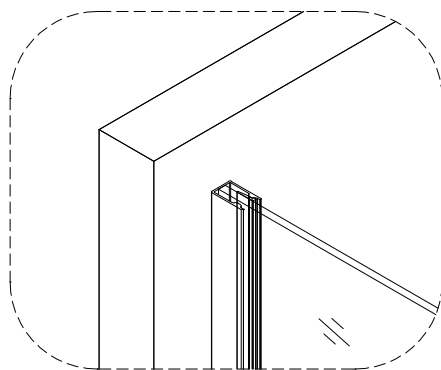
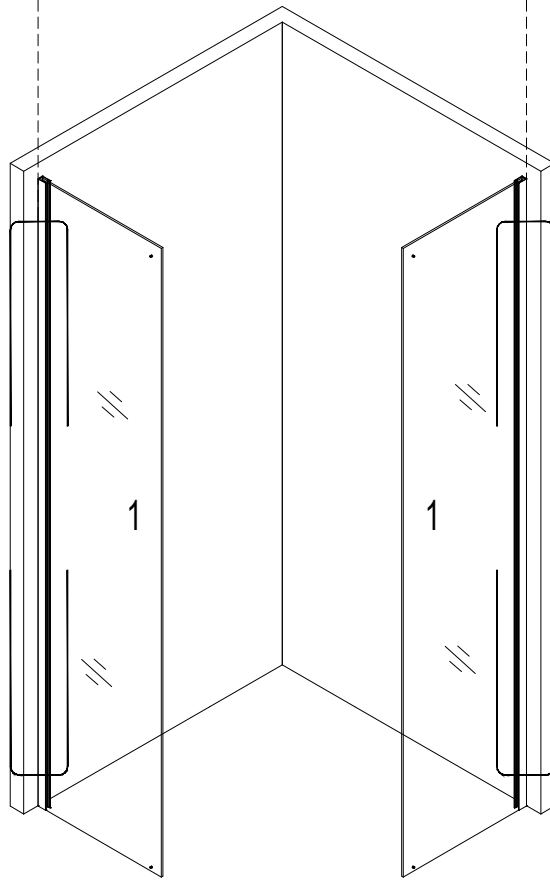
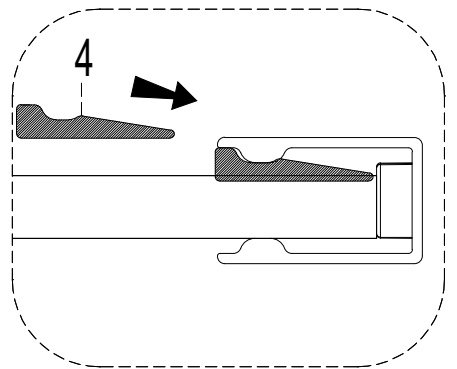
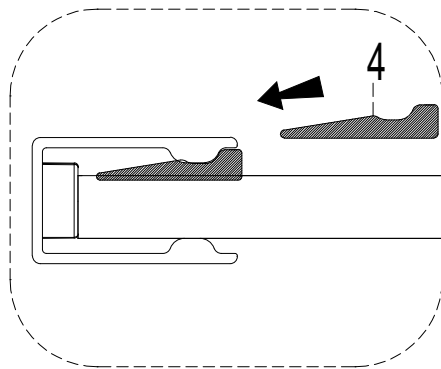
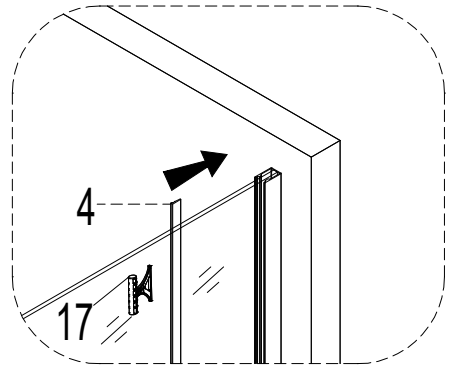
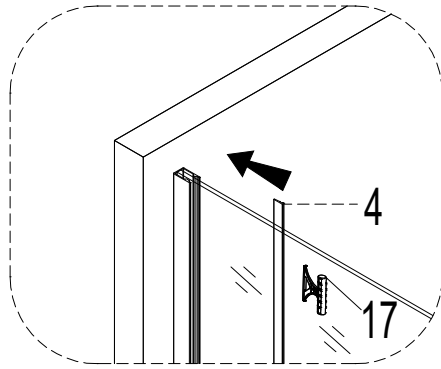
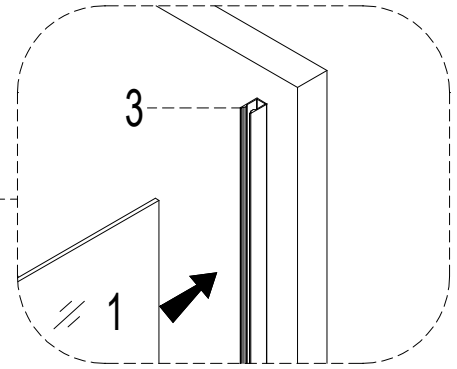
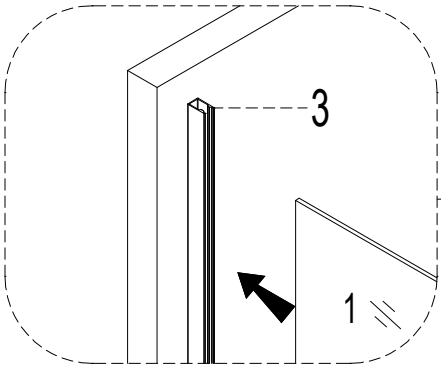
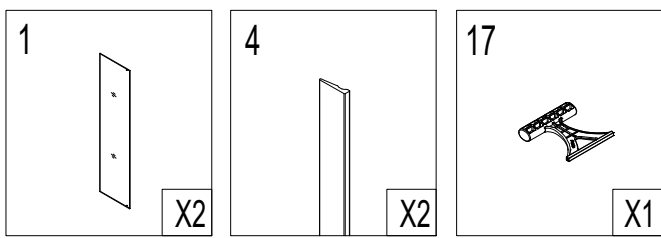
X4

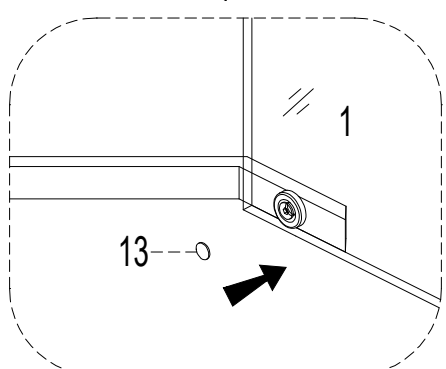
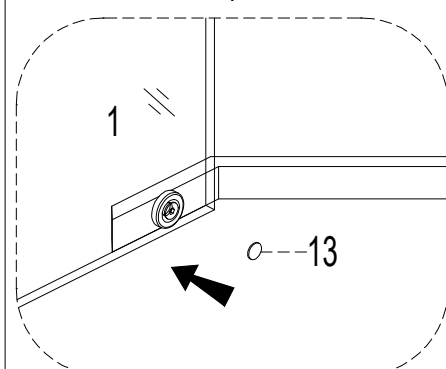
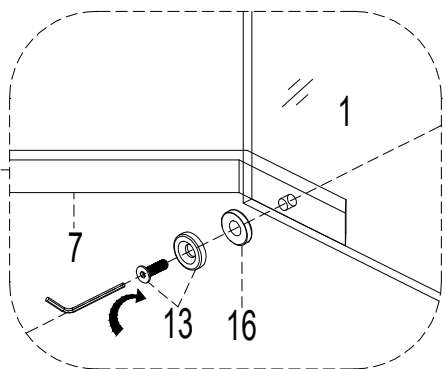
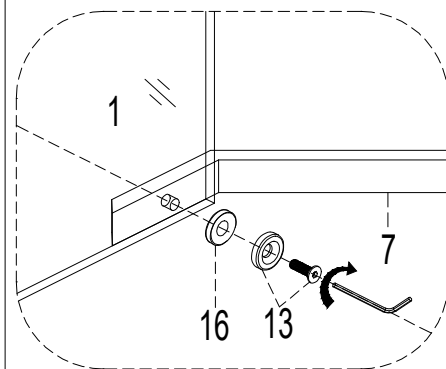
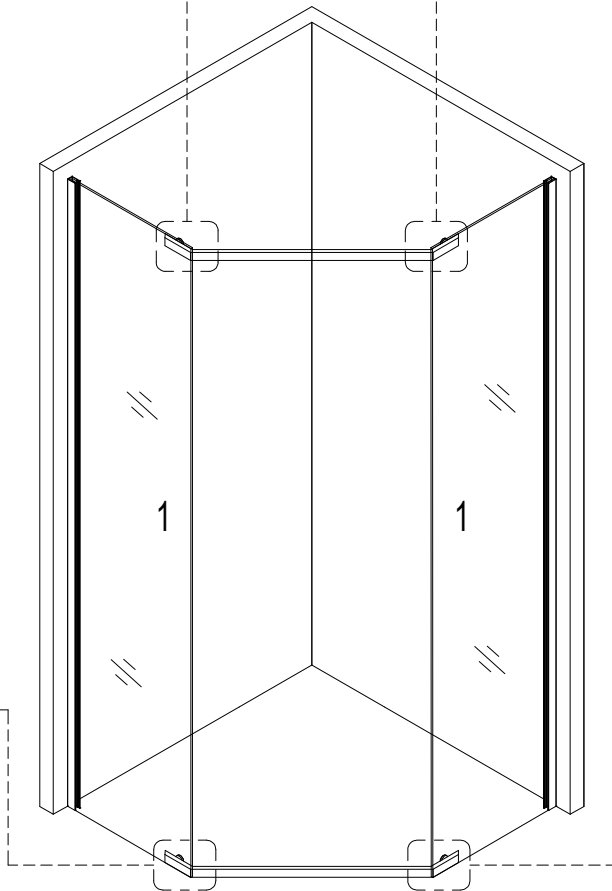
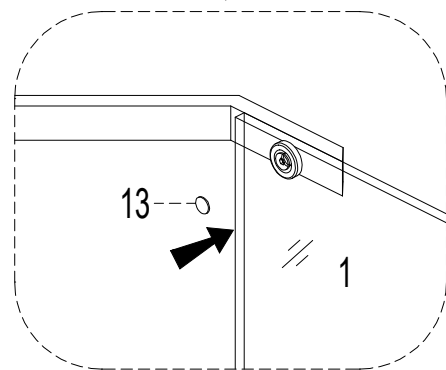
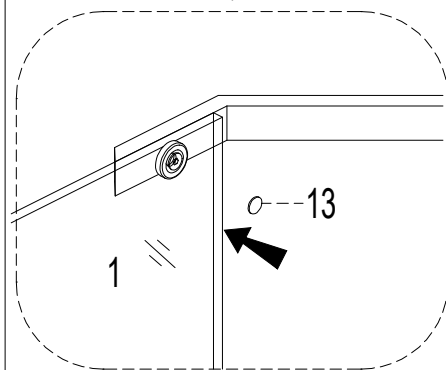
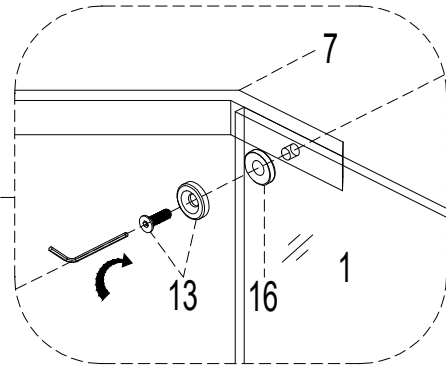
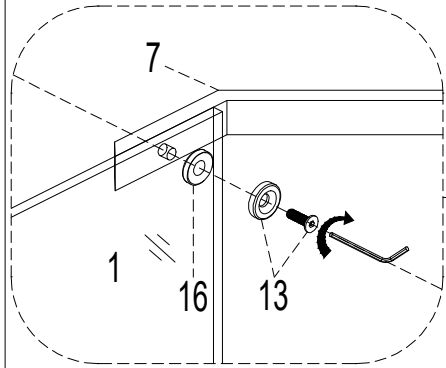
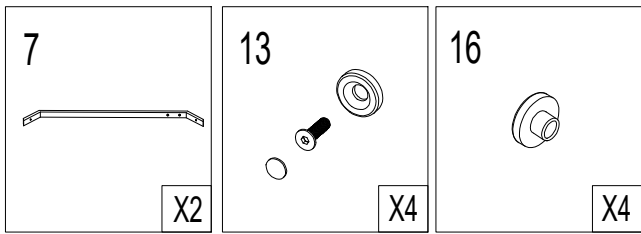


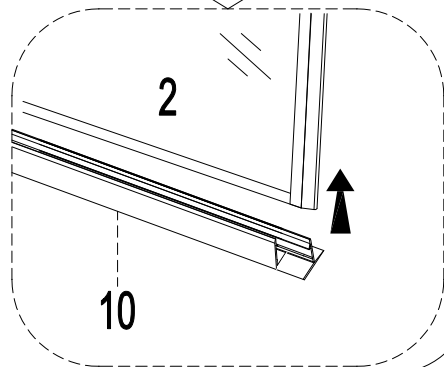
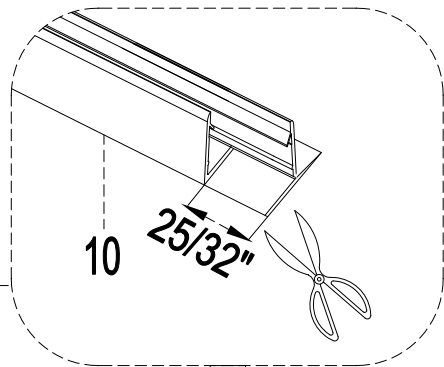
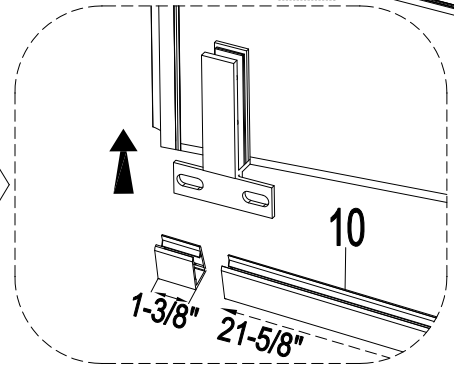
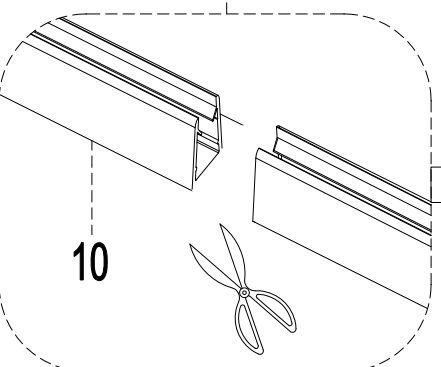
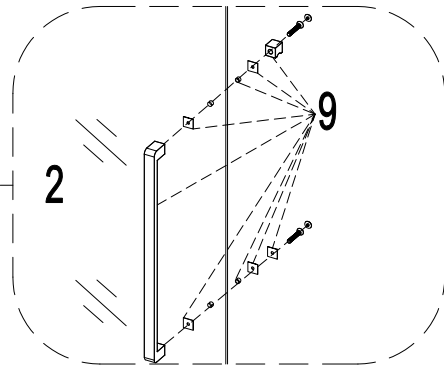
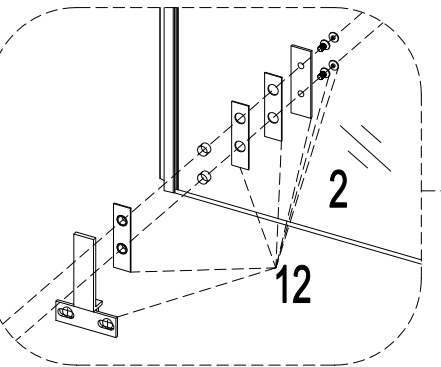
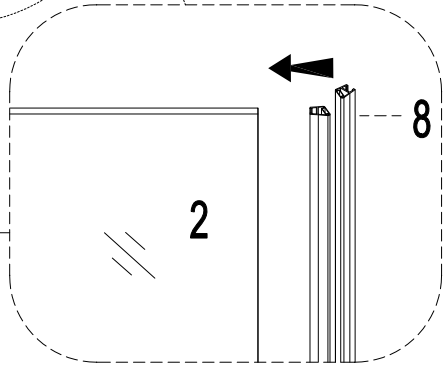
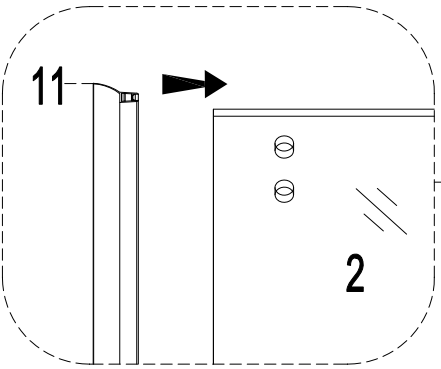
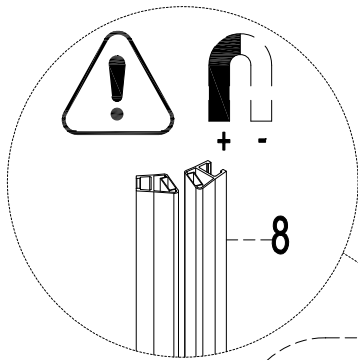
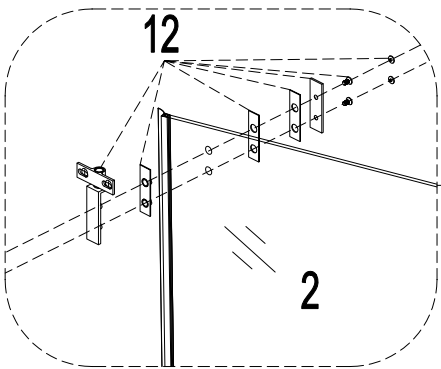
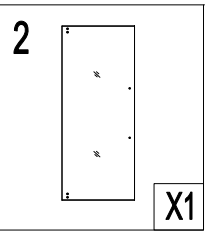
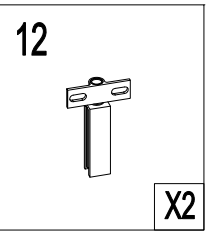
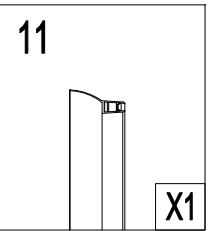
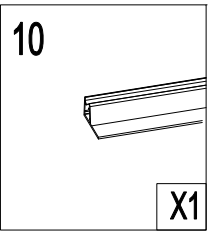
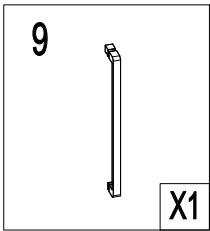
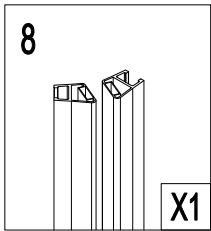
17

X1





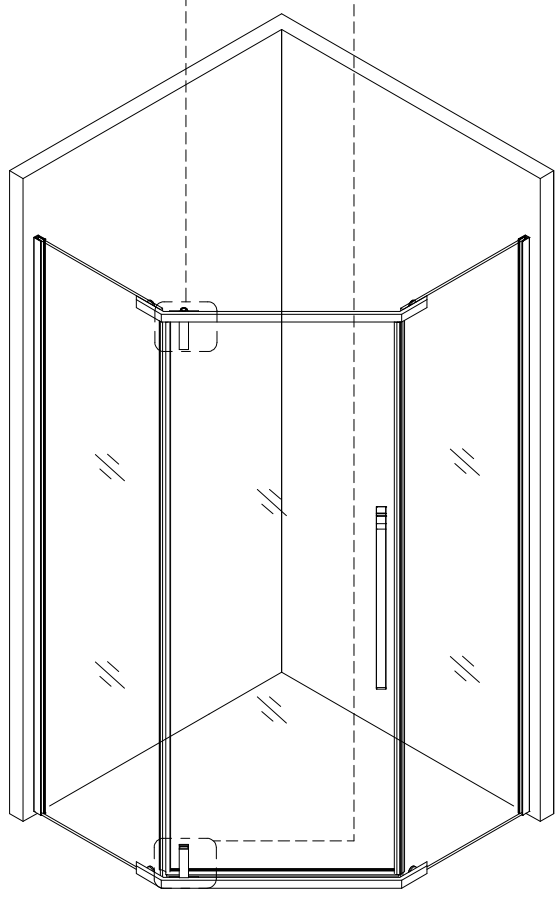
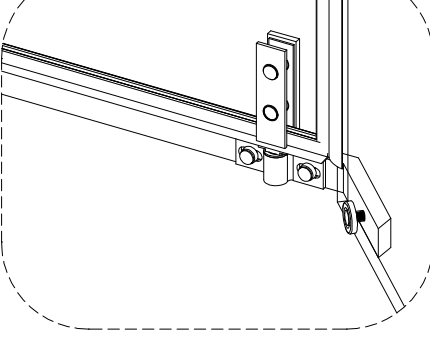
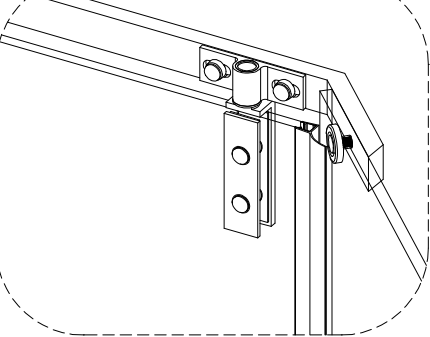
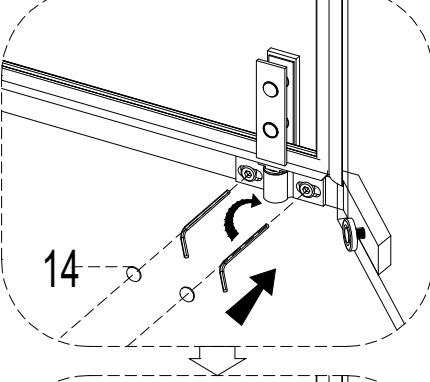
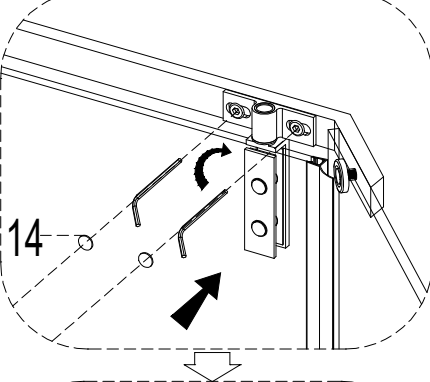
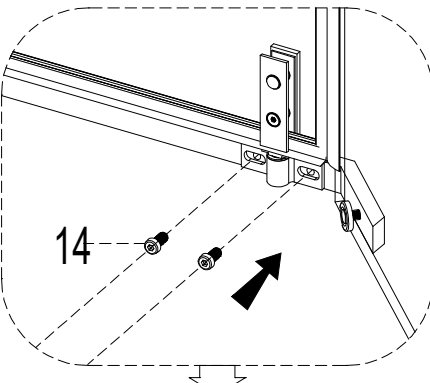
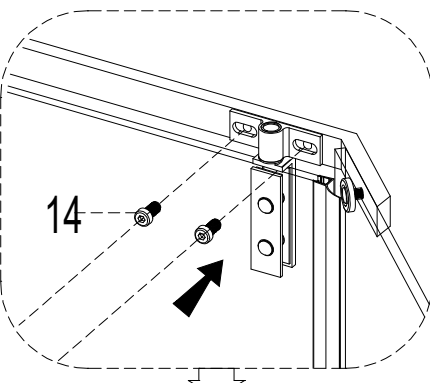
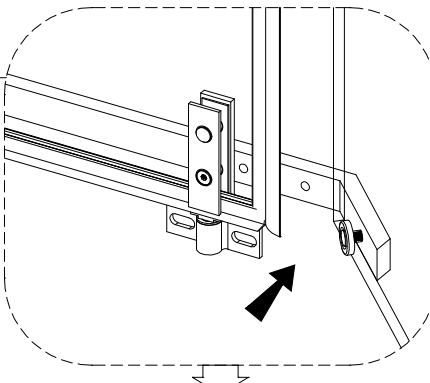
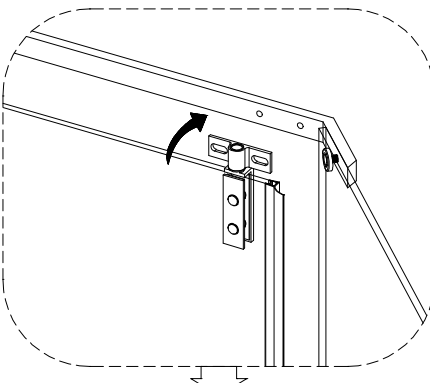




14



X4



STEP2

STEP1

